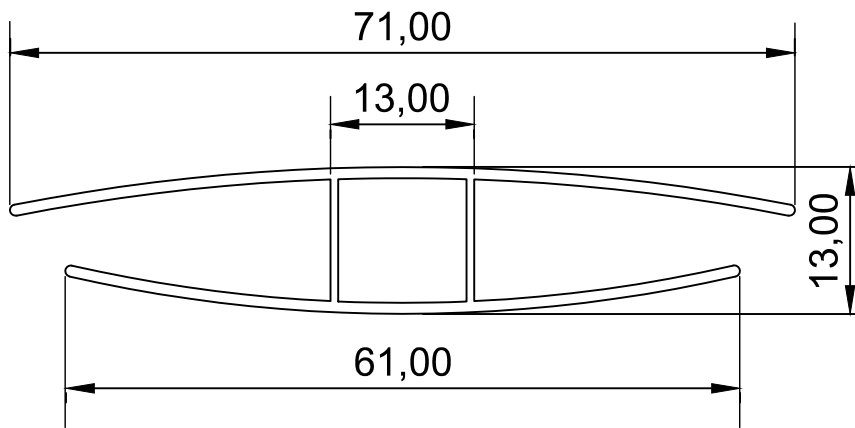
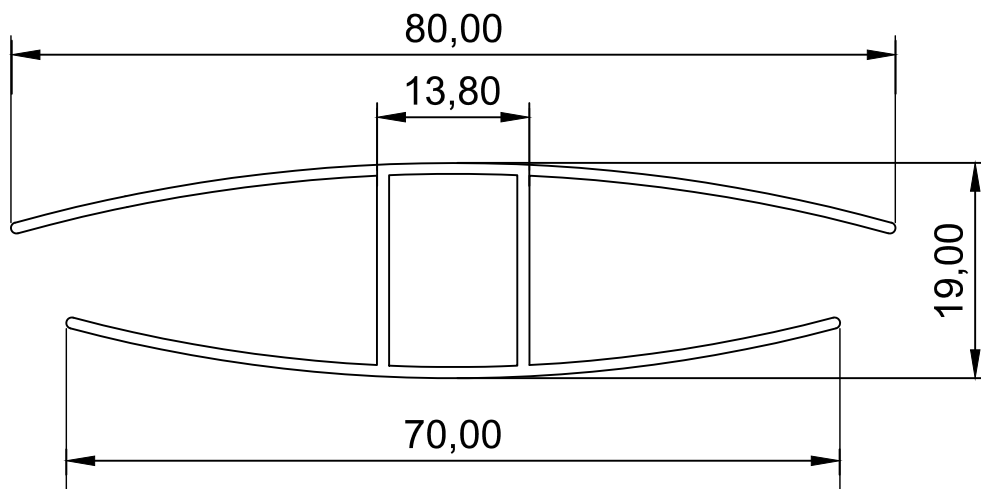


H 6 mm  
polycarbonate cristal



H 10 mm  
polycarbonate cristal



H 16 mm  
polycarbonate cristal